

P115 Clamping tool for straps up to 16 mm wide



Specific clamp used to ligaturate all types of pipes, cables, ropes, boxes, etc ...

Cutting part for steel strip.
Vernished steel to prevent corrosion.
For steel strip up to 10 mm wide.



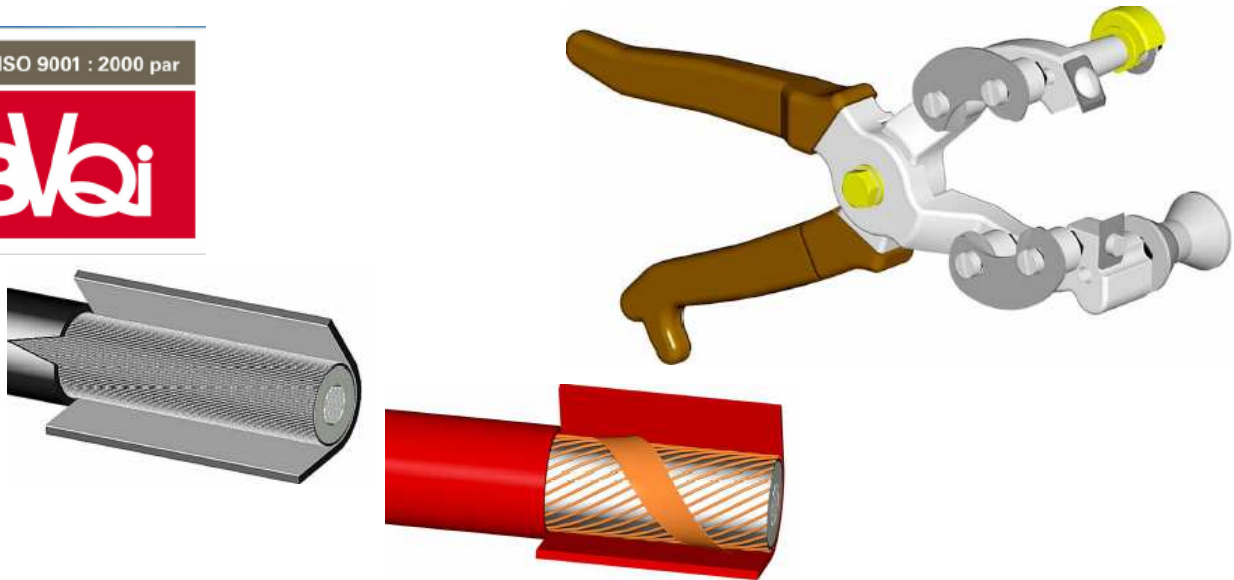
MV

Outer sheath

PG HTA

Certifié ISO 9001 : 2000 par

BVQi



FUNCTIONS: The PG3 HTA/2833 (brown handles) pliers remove PE, PVC, PR, rubber sheaths from medium voltage cables..

Technical features :

Sheath removal
Speed, lightness

**PG
choice**

Sheath diameter	Ref.	Weight
21 mm to 35 mm	PG2 HTA	500 g
26 mm to 52 mm	PG3 HTA	600 g
47 mm to 75 mm	PG4 HTA	840 g

Edited in 2008 december



LV

Sheath

PG3EC/2020

Certifié ISO 9001 : 2000 par

BVQi



FUNCTIONS: PG3EC/2020 pliers allow to remove the outer sheath from main LV cables and increase security of agents during under or outer voltage labours.

CHARACTERISTICS :

Outer sheath cutting

NFC 33210 type HN33S33

NF EN 60900

ST BT n° 537

Capacity: sections from 50mm² to 240mm²

L : 265 mm

Weight : 440g

l : 97 mm

H : 73 mm

Edited in 2008 february



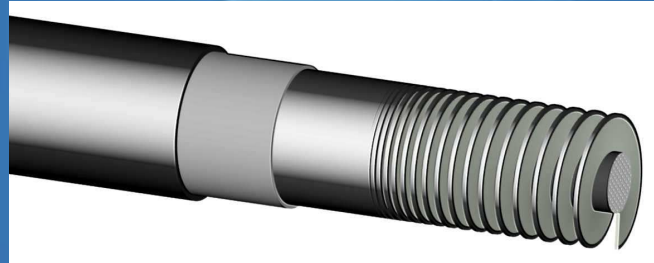
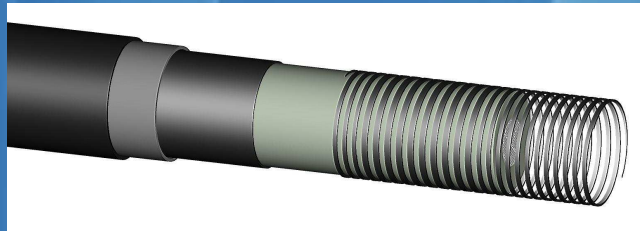
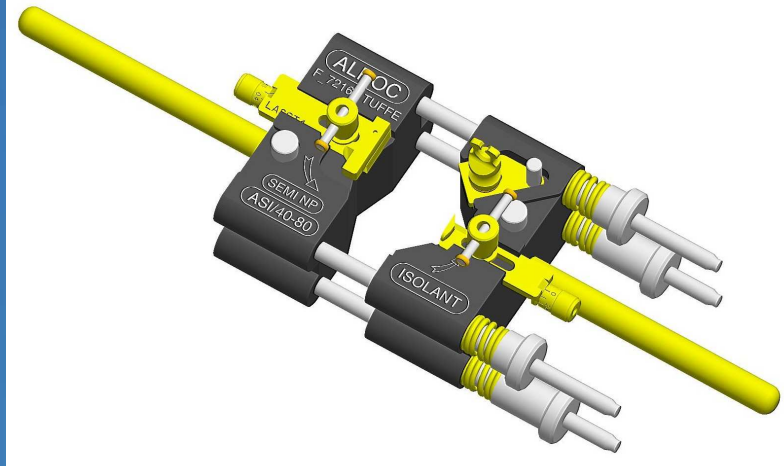
ALROC - HV - MULTIFUNCTION ASI/40-80

ISO 9001

BUREAU VERITAS
Certification



A
S
I
/
40-
80



ALROC

Z.I de la
fonderie
72160 Tuffé
France

Phone :
33.(0)2.43.71.11.80
Fax :
33.(0)2.43.71.16.51
Web : www.alroc.fr
E-mail :
commercial@alroc.fr

FUNCTIONS

The ASI/40-80 tool allows to strip the bonded semi-conductor and to remove the insulation from high voltage cables.

CHARACTERISTICS

- ☞ Bonded semi-conductor stripping.
- ☞ Insulation removal
- ☞ Capacity : Ø40 à 80mm
- ☞ Option : BMF thrust allows to perform a perfect and clean stop on the insulation or on the bonded semi-conductor.

L : 420 mm Poids : 3250g
 ℓ : 130 mm
 H : 100 mm



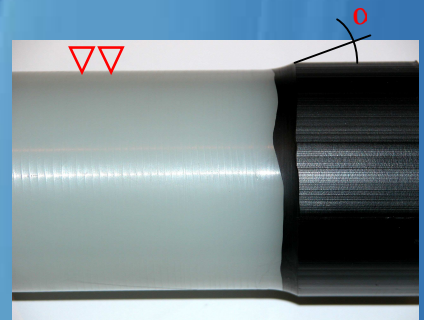
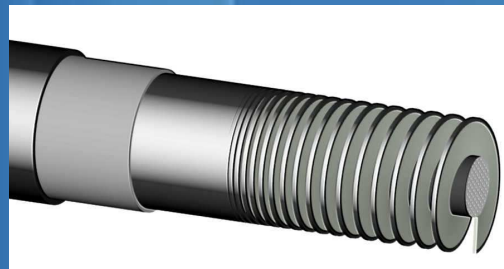
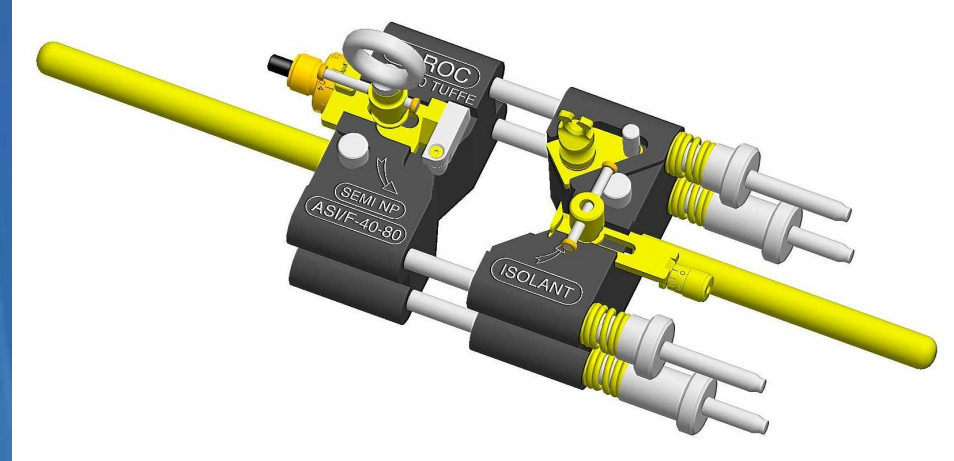
ALROC - HV - MULTIFUNCTION ASI/F-40-80

ISO 9001

BUREAU VERITAS
Certification



A
S
I
/F-
40-
80



ALROC

Z.I de la
fonderie
72160 Tuffé
France

Phone :
33.(0)2.43.71.11.80
Fax :
33.(0)2.43.71.16.51
Web : www.alroc.fr
E-mail :
commercial@alroc.fr

FUNCTIONS

The ASI/F-40-80 tool allows to strip the bonded semi-conductor with a taper sketch and to remove the insulation from high voltage cables.

CHARACTERISTICS

- ☞ Bonded semi-conductor stripping with a taper sketch insulation shield.
- ☞ Insulation removal
- ☞ Capacity : Ø40 à 80mm
- ☞ Option : BMF thrust allows to perform a perfect and clean stop on the insulation or on the bonded semi-conductor.

L : 420 mm Poids : 3350g
ℓ : 130 mm
H : 145 mm



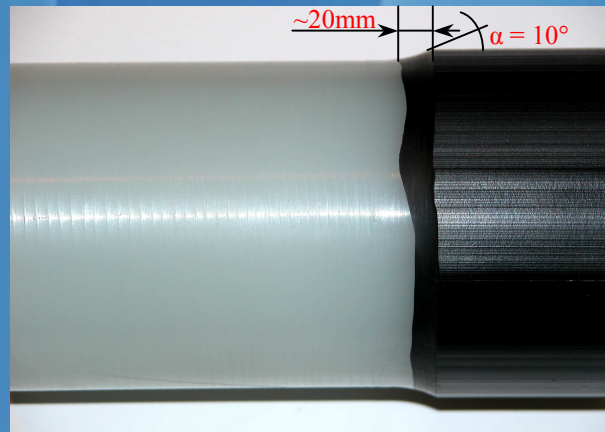
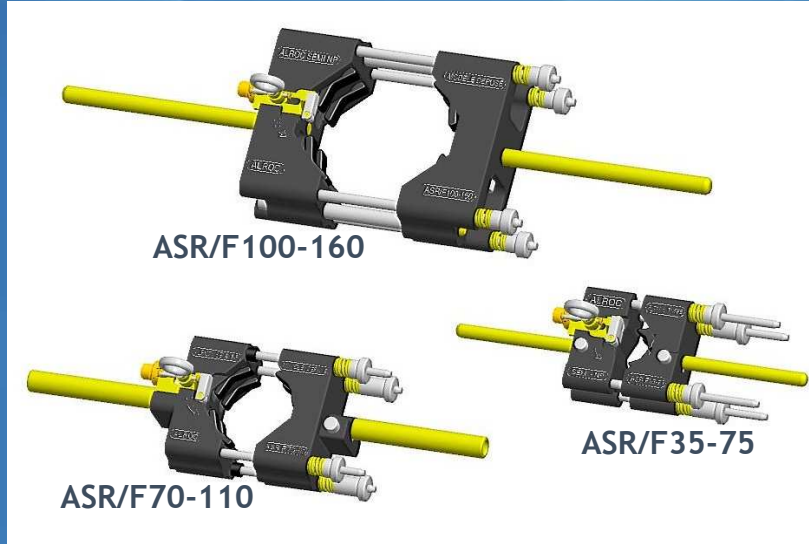
ALROC - HV - BONDED SEMI-CONDUCTOR ASR/F35-75 . 70-110 . 100-160

ISO 9001

BUREAU VERITAS
Certification



A
S
R
/F



ALROC

Z.I de la
fonderie
72160 Tuffé
France

Phone :
33.(0)2.43.71.11.80
Fax :
33.(0)2.43.71.16.51
Web : www.alroc.fr
E-mail :
commercial@alroc.fr

FUNCTIONS

ASR/F tools allow to remove the bonded semi-conductor from cables with a sketch of cone on the semi-conductor and with a very clean surface on the insulation

- ☞ Reshape cable to a cylindrical form.

CHARACTERISTICS

- ☞ Bonded semi-conductor removal
- ☞ Reshape cable to a cylindrical form
- ☞ Sketch of cone on bonded semi-conductor
- ☞ Very clean surface on the insulation
- ☞ Substantial reduction of sanding time

semi-conductor diameter	Ref :	Weight
35 mm to 75 mm	ASR/F35-75	3,3 kg
70 mm to 110 mm	ASR/F70-110	4,8 kg
100 mm to 160 mm	ASR/F100-160	10 kg



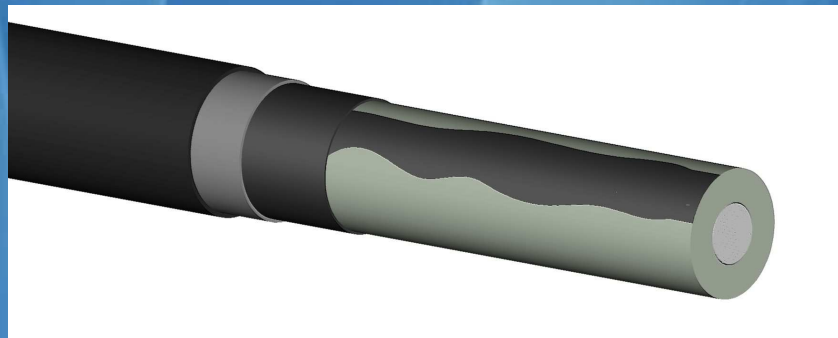
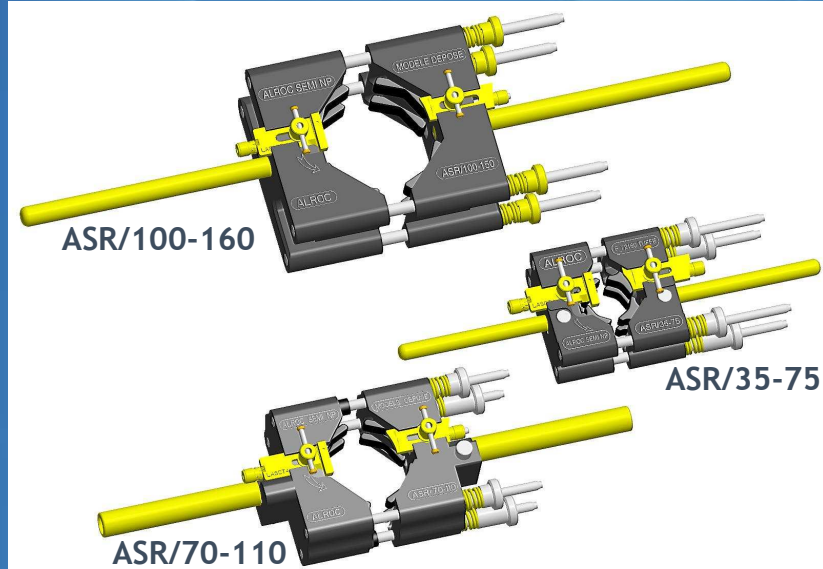
ALROC - HV - Bonded semi-conductor ASR/35-75 . 70-110 . 100-160

ISO 9001

BUREAU VERITAS
Certification



A
S
R



ALROC

Z.I de la
fonderie
72160 Tuffé
France

Phone :
33.(0)2.43.71.11.80
Fax :
33.(0)2.43.71.16.51
Web : www.alroc.fr
E-mail :
commercial@alroc.fr
info@alroc.fr

FUNCTIONS

ASR tools remove semi-conductive insulation shield from cables without damaging the cable insulation.
☞ Also, reshapes the insulation to a cylindrical condition.

CHARACTERISTICS

☞ Bonded semi-conductive shield removal.
☞ Reshapes cable to a cylindrical form.

Semi-conductor Ø	Ref :	Weight
35 mm to 75 mm 1.38" to 2.95"	ASR/35-75	3 kg 6.60 lbs
70 mm to 110 mm 2.75" to 4.33"	ASR/70-110	4,6 kg 10.12 lbs
100 mm to 160 mm 3.94" to 6.3"	ASR/100-160	9,8 kg 21.56 lbs



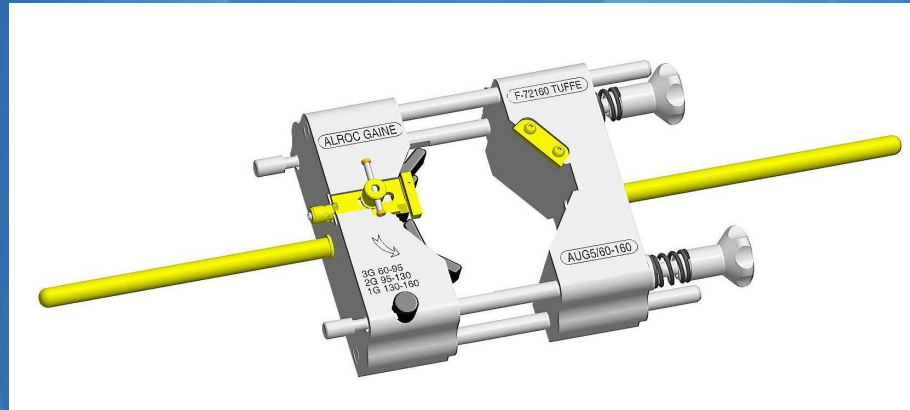
ALROC - HV- Outer sheath AUG5/60-160

ISO 9001

BUREAU VERITAS
Certification



A
U
G
5/
60-160



ALROC

Z.I de la
fonderie
72160 Tuffé
France

Phone :
33.(0)2.43.71.11.80
Fax :
33.(0)2.43.71.16.51
Web : www.alroc.fr
E-mail :
commercial@alroc.fr

FUNCTIONS

AUG5/60-160 tool allows to strip the outer sheath from high voltage cables.

CHARACTERISTICS

- ☞ Outer sheath stripping
- ☞ Minimum manufacture thickness of the outer sheath : 2mm
- ☞ Capacity: Ø60 to 160mm

L : 640 mm Weight : 8.6 kg
ℓ : 226 mm
H : 113 mm



ALROC - HV BMFD/60-160

ISO 9001

BUREAU VERITAS
Certification



**B
M
F
D/
60-160**



ALROC

Z.I de la
fonderie
72160 Tuffé
France

Phone :
33.(0)2.43.71.11.80
Fax :
33.(0)2.43.71.16.51
Web : www.alroc.fr
E-mail :
commercial@alroc.fr
info@alroc.fr

FUNCTIONS

The stop BMFD/60-160 has three clamping positions to cover a larger range of cable diameters.

CHARACTERISTICS

- ☞ Stop at three positions clamping
- ☞ For use with tools :
MF4/60-110 - MF5/100-160
ASR/70-110 - ASR/100-160
AUG5/60-160
DMSR/80-160

☞ Capacity : Ø60 to 160mm

L : 345 mm Weight : 5.1 kg
ℓ : 230 mm
H : 62 mm



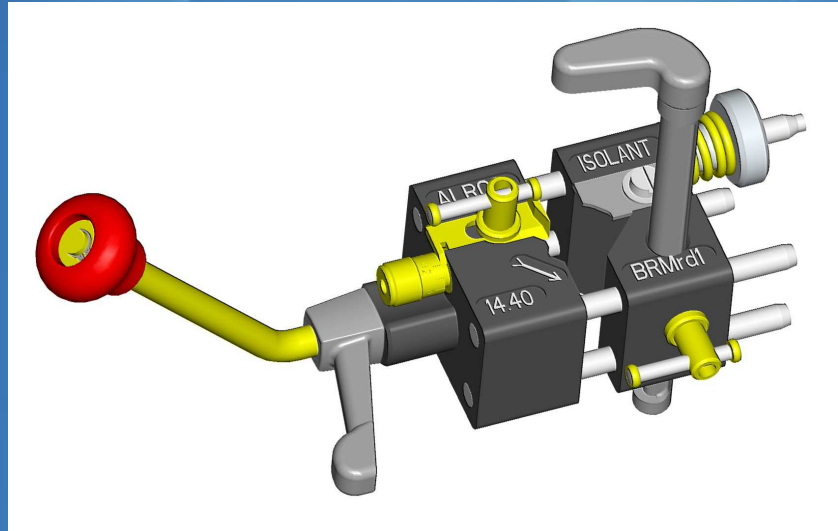
ALROC - MV - INSULATION BRMrd1E

ISO 9001

BUREAU VERITAS
Certification



B
R
M
r
d
1E



ALROC

Z.I de la
fonderie
72160 Tuffé
France

Phone :
33.(0)2.43.71.11.80
Fax :
33.(0)2.43.71.16.51
Web : www.alroc.fr
E-mail :
commercial@alroc.fr

FUNCTIONS

BRMrd1E tool cuts insulation from medium voltage cables and allows to obtain an insulation straight cutting with the BR stop

CHARACTERISTICS

- ☞ Insulation straight cutting
 - ☞ No risk of damage to the cable core
- Capacity : Diameter on insulation : 14 to 40mm

L : 151 mm Weight : 1100g
ℓ : 92 mm
H : 67 mm



ALROC - HV - CASE CASI/F-40-80-H

ISO 9001

BUREAU VERITAS
Certification



C
A
S
I/
F-40
-80
-H



ALROC

Z.I de la
fonderie
72160 Tuffé
France

Phone :
33.(0)2.43.71.11.80
Fax :
33.(0)2.43.71.16.51
Web : www.alroc.fr
E-mail :
commercial@alroc.fr
info@alroc.fr

FUNCTIONS

CASI/F-40-80-H Alroc case allows to remove the bonded semi-conductor and the insulation. It also allows to perform a channel on the insulation from HV cables.

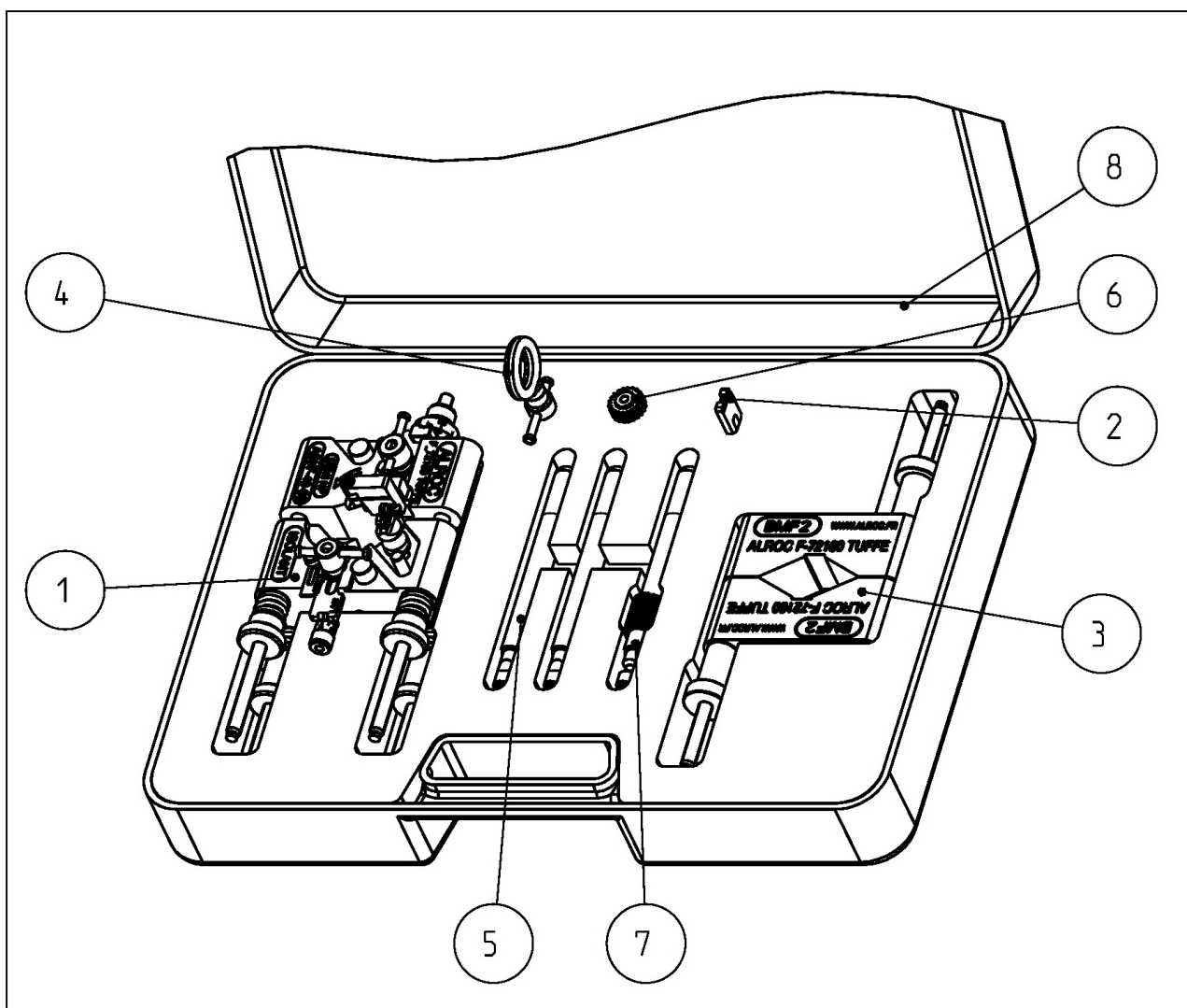
CHARACTERISTICS

- ☛ Bonded semi-conductor removal with a very clean surface and sketch of cone
- ☛ Insulation removal
- ☛ Channel in the insulation
- ☛ BMF2/35-75 thrust for a perfect and clean stop on bonded semi-conductor and insulation.

Weight : 7 kg



CASI/F-40-80-H Composition



REP	FUNCTION	REFERENCE
1	➤ Multifonction tool insulation + bonded semiconductor	ASI/F-40-80
2	➤ Blade for channel realization in the insulation	LASIR/12
3	➤ Tool stop	BMF2/35-75
4	➤ Blade locking screw to drive the chip	-
5	➤ ASI/F-40-80 handle	073/2799

REP	FUNCTION	REFERENCE
6	➤ ASI/F-40-80 handle with blade LASIR/12 for channel realization	-
7	➤ Advance blade button for ASI/F-40-80 with blade LASIR/12 for channel realization	-
8	➤ Empty plastic case	CPGM3

- ☞ The tools must be used by skilled jointers who are competent in cable preparation and know about electrical phenomenons.
- ☞ Wearing anti-cut gloves is obligatory.
- ☞ Clean the tools after each utilization.
- ☞ Use of the pliers by jointers with the protections stated in the prescriptions

ALROC S.A.S - ZI de la Fonderie - 72160 TUFFE - FRANCE - Tél : 33 (0)2.43.71.11.80 - Fax : 33 (0)2.43.71.16.51
 Internet : www.alroc.fr - E.mail : commercial@alroc.fr - info@alroc.fr
 S.A.S au capital de 38.112,25€ - 341 050 987 RCS MAMERS - SIRET 341 050 987 00013 - APE 2453Z - TVA/FR 77 341 050 987



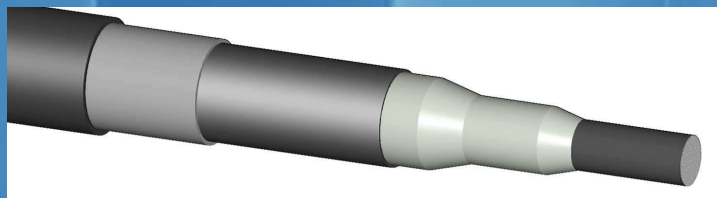
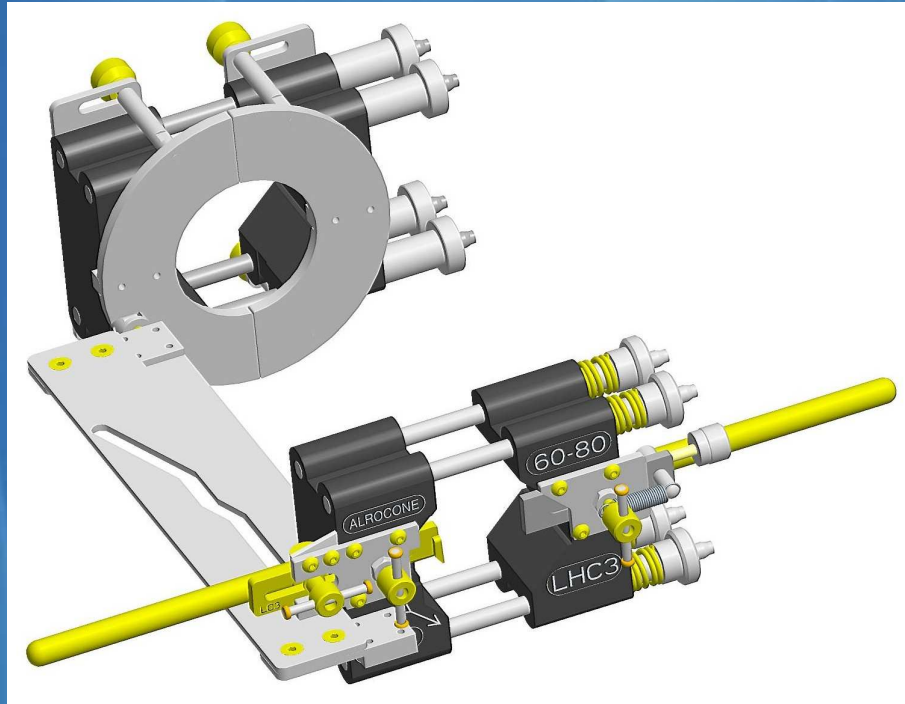
ALROC - HV - INSULATION CHN3-SP1

ISO 9001

BUREAU VERITAS
Certification



C
H
N
3-
SP1



ALROC

Z.I de la
fonderie
72160 Tuffé
France

Phone :
33.(0)2.43.71.11.80
Fax :
33.(0)2.43.71.16.51
Web : www.alroc.fr
E-mail :
commercial@alroc.fr
info@alroc.fr

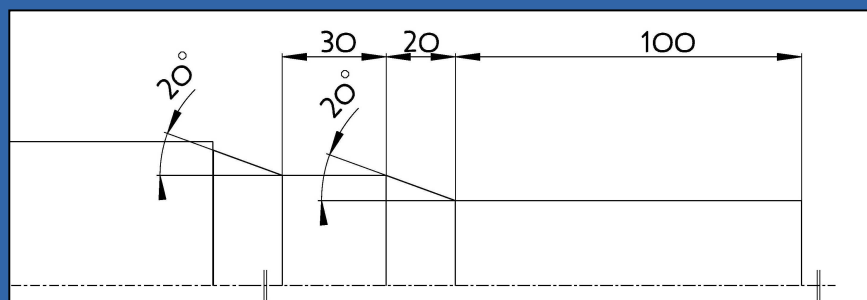
FUNCTIONS

LHC3 tool associated with the special ruler RF3-SP1 allows to perform two tapered cuttings on insulation cables.

CHARACTERISTICS

- ☞ Special insulation tapering.
- ☞ Realization of any special ruler on request.

Stripping made with the RF3-SP1 ruler.





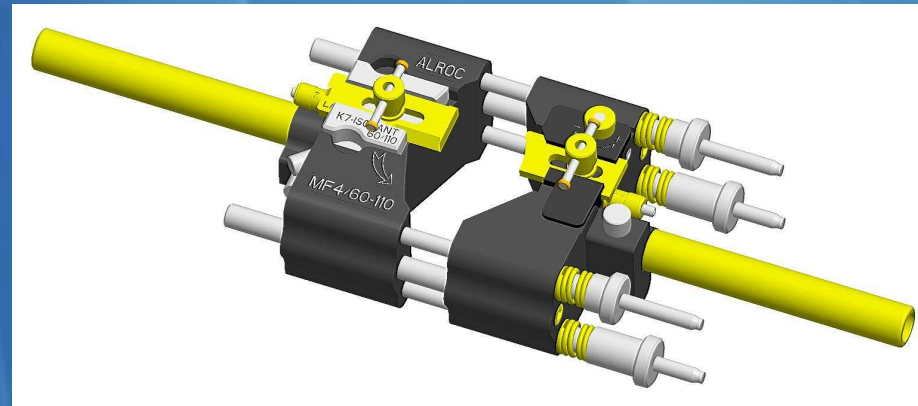
ALROC - HV - MULTIFUNCTION CMF4/60-110 - CMF5/100-160

ISO 9001

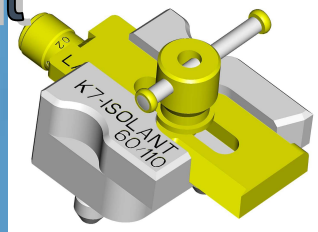
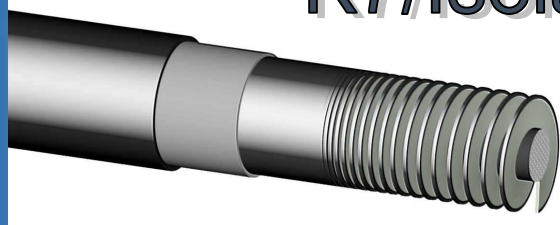
BUREAU VERITAS
Certification



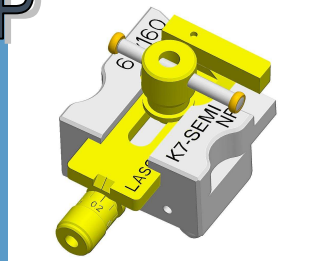
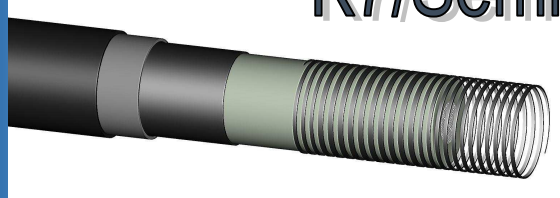
C
M
F



K7/Isolant



K7/Semi NP



ALROC

Z.I de la
fonderie
72160 Tuffé
France

Phone :

33.(0)2.43.71.11.80

Fax :

33.(0)2.43.71.16.51

Web : www.alroc.fr

E-mail :

commercial@alroc.fr

info@alroc.fr

FUNCTIONS

The CMF tools remove the bonded semi-conductive insulation shield and insulation from high voltage cables. Other features are also available (see options)

CHARACTERISTICS

- ☞ Removal of semi-conductive insulation shield.
- ☞ Removal of insulation shield
- ☞ Interchangeable K7 between MF4 and MF5 tools

Capacity	Reference	Weight of the tool
Ø60 mm to 110 mm 2.36" to 4.33"	CMF4/60-110	5,6 kg 12.32 lbs
Ø100 mm to 160 mm 3.93" to 6.29"	CMF5/100-160	11,4 kg 25.08 lbs

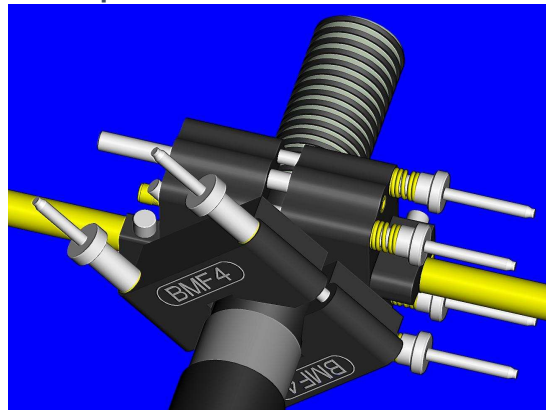
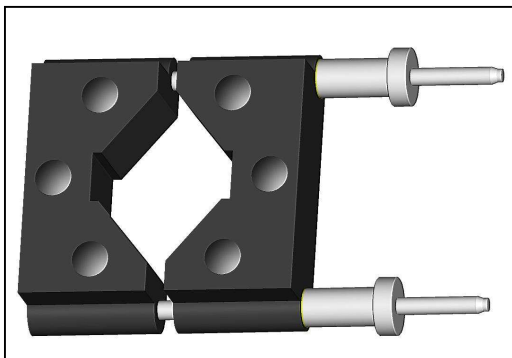


CMF4/60-110 - CMF5/100-160 Options

1- Thrust

réf : BMF4 BMF5

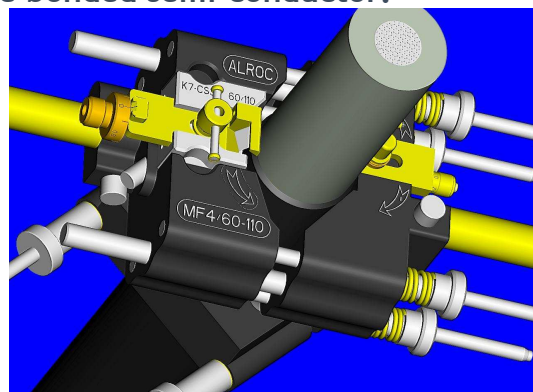
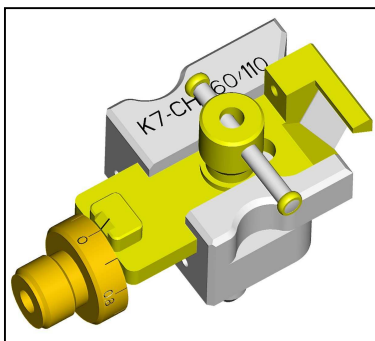
- BMF thrust allows to perform a straight and regular stop on the insulation or on the bonded semi-conductor.



2- Chamfering K7

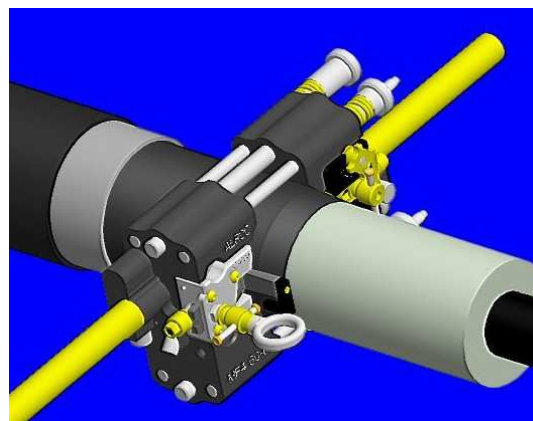
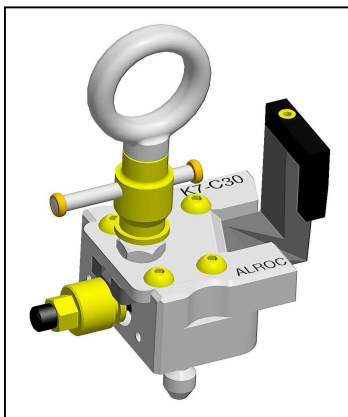
réf : K7-CH 60/160

- K7-CH allows to perform a regular chamfer on the bonded semi-conductor.



3- K7 cone 30mm- Maxi thickness of bonded semi-conductor : 1.6mm *réf* : K7-C30

- K7-C30 allows to perform a taper from nearly 30mm length on the bonded semi-conductor.
- For all other taper length, please contact us.



ALROC S.A.S - ZI de la Fonderie - 72160 TUFFE - FRANCE - Tél : 02.43.71.11.80 - Fax : 02.43.71.16.51

Internet : www.alroc.fr - E.mail : commercial@alroc.fr - info@alroc.fr

S.A.S au capital de 800 000€ - 341 050 987 RCS LE MANS - SIRET 341 050 987 00013 - APE 2453Z - TVA/FR 77 341 050 987



ALROC - MV - Sheath DM25-60-DC

ISO 9001

BUREAU VERITAS
Certification



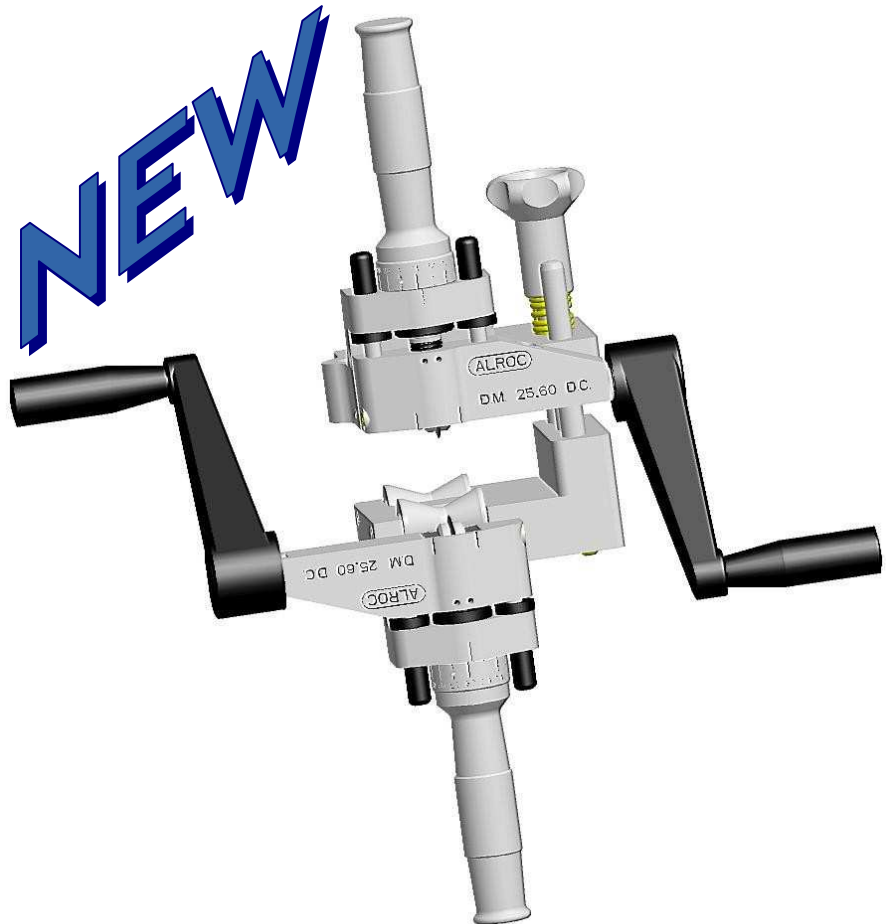
D

M

25-

60-

DC



ALROC

Z.I de la
fonderie
72160 Tuffé
France

Phone :
33.(0)2.43.71.11.80
Fax :
33.(0)2.43.71.16.51
Web : www.alroc.fr
E-mail :
commercial@alroc.fr
info@alroc.fr

FUNCTIONS

The DM25-60-DC is designed to realize a double cut to withdraw quickly HDPE or lead sheath of all thickness on cables.

CHARACTERISTICS

- ☞ Circular and longitudinal cut on the sheath of cable
- ☞ Sold in plastic case
- ☞ Capacity : Ø25 to 60mm
- ☞ maximum cutting depth: 7mm
- ☞ Reference: DM25-60-DC
- ☞ Reference example : DM25-60-DC35 (depth cutting : 3,5mm)

L : 500 mm Weight: 6.7kg
l : 300 mm
H : 220 mm



ALROC - MV - Sheath DM 30/60

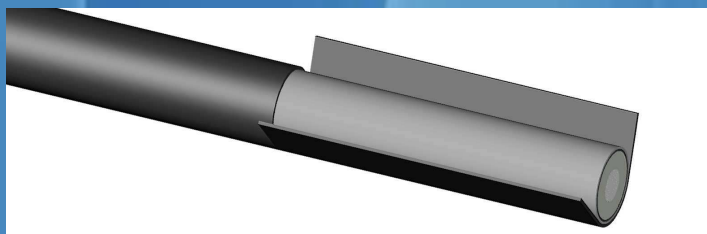
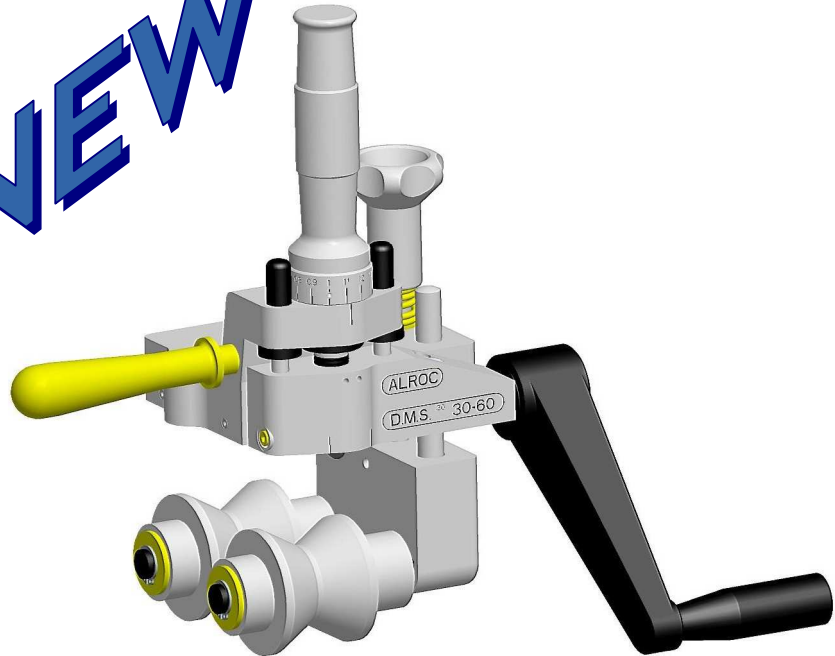
ISO 9001

BUREAU VERITAS
Certification



D
M

NEW



ALROC

Z.I de la
fonderie
72160 Tuffé
France

Phone :
33.(0)2.43.71.11.80
Fax :
33.(0)2.43.71.16.51
Web : www.alroc.fr
E-mail :
commercial@alroc.fr
info@alroc.fr

FUNCTIONS

DM 30-60 is designed to remove PEHD or lead sheath of variable thickness from medium voltage cables.

CHARACTERISTICS

- ☞ Removes outer sheath from medium voltage cables
- ☞ Supplied with plastic carrying case

Câble diameter	Maxi thickness	Ref :	Weight
30 mm to 60 mm	7 mm	DM 30-60	4.1 kg



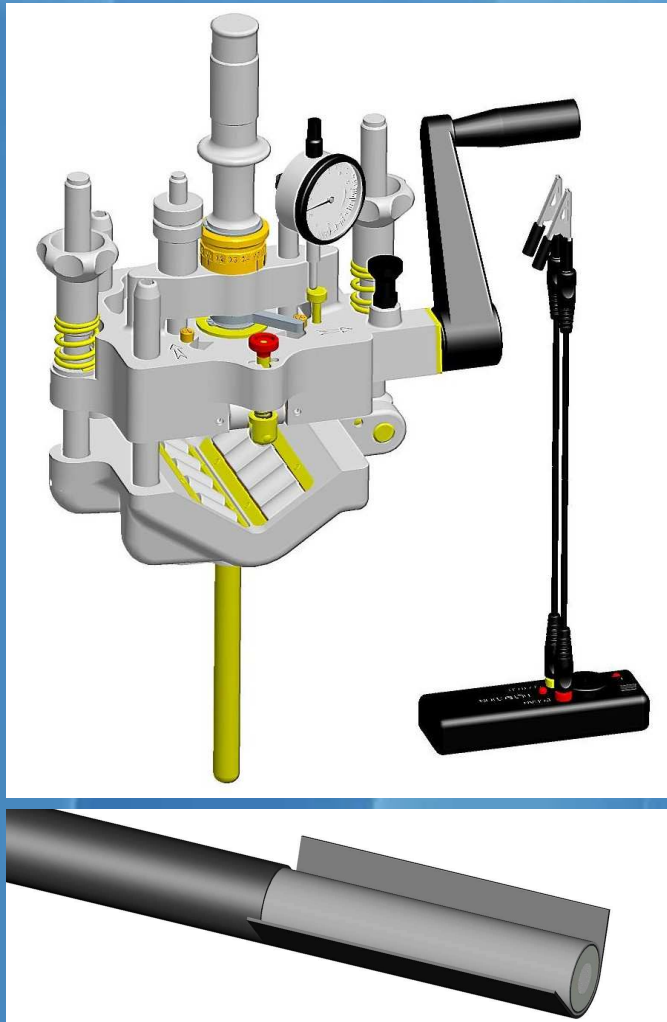
ALROC - HV - Sheath DMSR/40-90

ISO 9001

BUREAU VERITAS
Certification



D
M
S
R



ALROC

Z.I de la
fonderie
72160 Tuffé
France

Phone :
33.(0)2.43.71.11.80
Fax :
33.(0)2.43.71.16.51
Web : www.alroc.fr
E-mail :
commercial@alroc.fr
info@alroc.fr

FUNCTIONS

The DMSR/40-90 is specially designed to remove lead or HDPE ducts of all thicknesses on HV cables. The DMS / R is very robust for stripping duct harsh. Comparator allows a precise cutting duct aluminum or lead.

CHARACTERISTICS

- ☞ Removes outer sheath from high voltage cables
- ☞ Passage of the longitudinal to the circular cutting tool without loosening the cable.
- ☞ Comparator for a precise cut
- ☞ Capacity : Ø40 to 90mm
- ☞ Maxi thickness : 11mm
- ☞ Supplied with plastic carrying case

L : 370 mm Weight : 7.7kg
ℓ : 155 mm
H : 470 mm



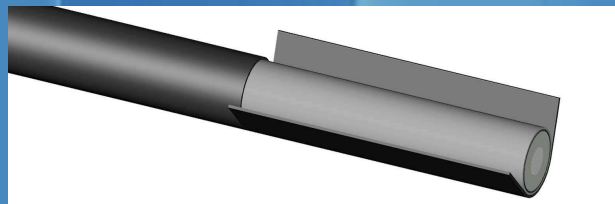
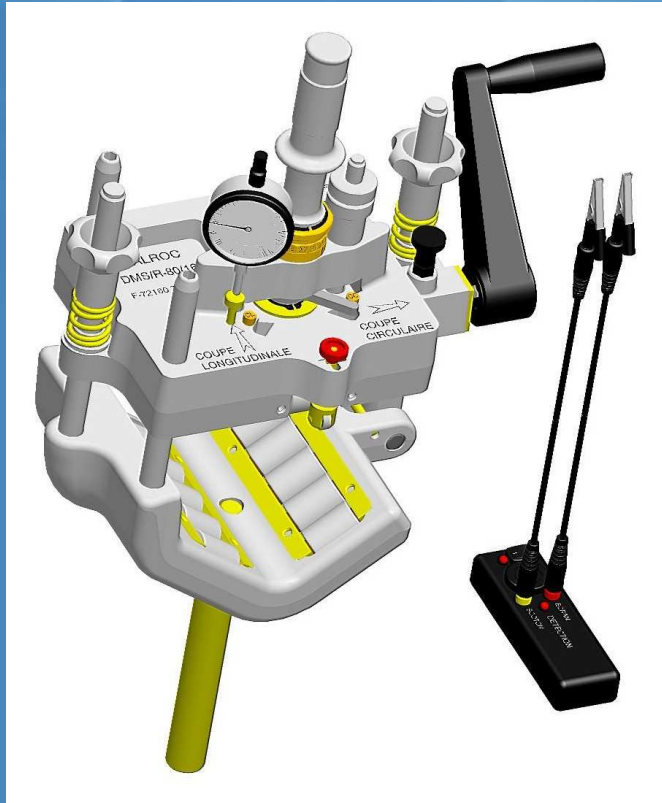
ALROC - HV - Sheath DMSR/80-160

ISO 9001

BUREAU VERITAS
Certification



D
M
S
R



ALROC

Z.I de la
fonderie
72160 Tuffé
France

Phone :
33.(0)2.43.71.11.80
Fax :
33.(0)2.43.71.16.51
Web : www.alroc.fr
E-mail :
commercial@alroc.fr
info@alroc.fr

FUNCTIONS

The DMSR/80-160 is specially designed to remove lead or HDPE ducts of all thicknesses on HV cables. The DMS / R is very robust for stripping duct harsh. Comparator allows a precise cutting duct aluminum or lead.

CHARACTERISTICS

- ☞ Removes outer sheath from high voltage cables
- ☞ Passage of the longitudinal to the circular cutting tool without loosening the cable.
- ☞ Comparator for a precise cut
- ☞ Capacity : Ø80 to 160mm
- ☞ Maxi thickness : 11mm
- ☞ Supplied with plastic carrying case

L : 400 mm Weight : 10.5kg
l : 160 mm
H : 530 mm



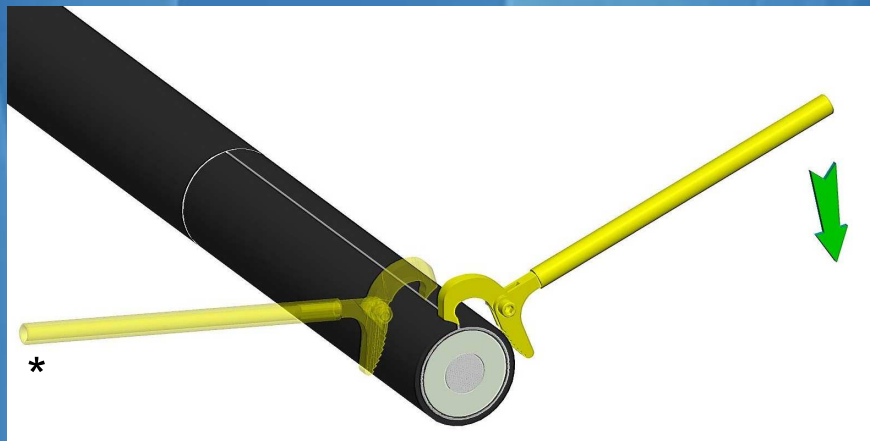
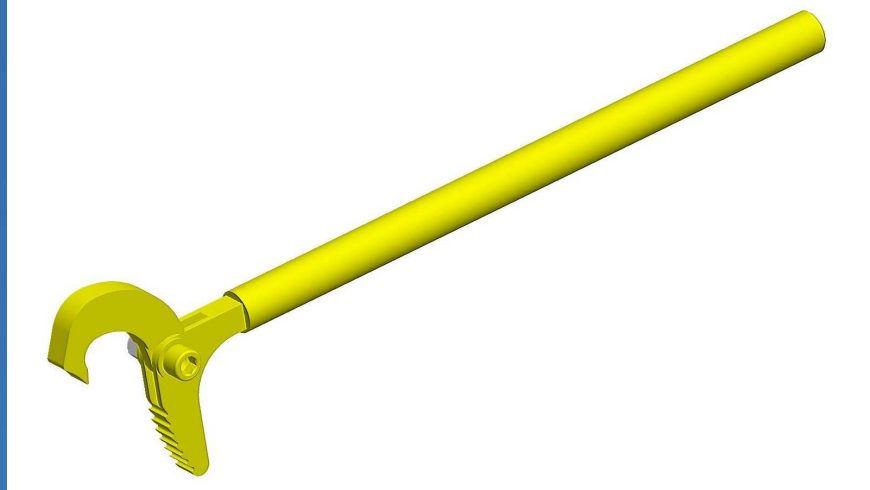
ALROC - HV - Outer sheath EGA

ISO 9001

BUREAU VERITAS
Certification



E
G
A



ALROC

Z.I de la
fonderie
72160 Tuffé
France

Phone :
33.(0)2.43.71.11.80
Fax :
33.(0)2.43.71.16.51
Web : www.alroc.fr
E-mail :
commercial@alroc.fr
info@alroc.fr

FUNCTIONS

EGA tool allows to spread and to remove the outer sheath from HV cables after realization of longitudinal and circular cutting.

CHARACTERISTICS

- ☞ Outer sheath spreading from HV cables.
- ☞ Outer sheath removal from HV cables
- ☞ * Nota : For more facility, spread the outer sheath with 2 EGA tools.

L : 430 mm Weight : 1,2 kg
ℓ : 120 mm
H : 40 mm



ALROC - MV - Sheath EV

ISO 9001

BUREAU VERITAS
Certification



EV 50/95

EV 150/240

EV 2000
150/240

EV 630

EV/NPT

ALROC

Z.I de la
fonderie
72160 Tuffé
France

Phone :
33.(0)2.43.71.11.80
Fax :
33.(0)2.43.71.16.51
Web : www.alroc.fr
E-mail :
commercial@alroc.fr
info@alroc.fr



Sheath spreaders for MV cables
UTE C33-223, NFC 33-220, NFC 33-223, HN 33S23
C33-226 (Vinyl only),

Sheath spreaders for MV cables C33-226 Popy and Nikol



FUNCTIONS

The ALROC spreaders facilitate the passing of the shield connection under the outer sheath and the aluminium screen of the cable.

CHARACTERISTICS

- ☞ Sheath spreading or spacing
- ☞ For cable sections from 50 mm² to 630 mm²



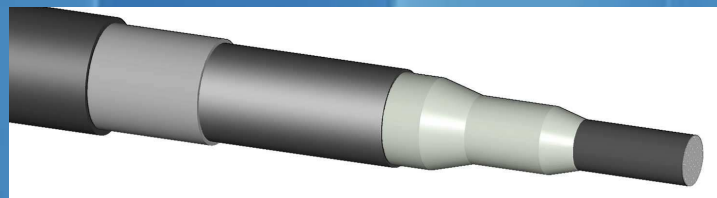
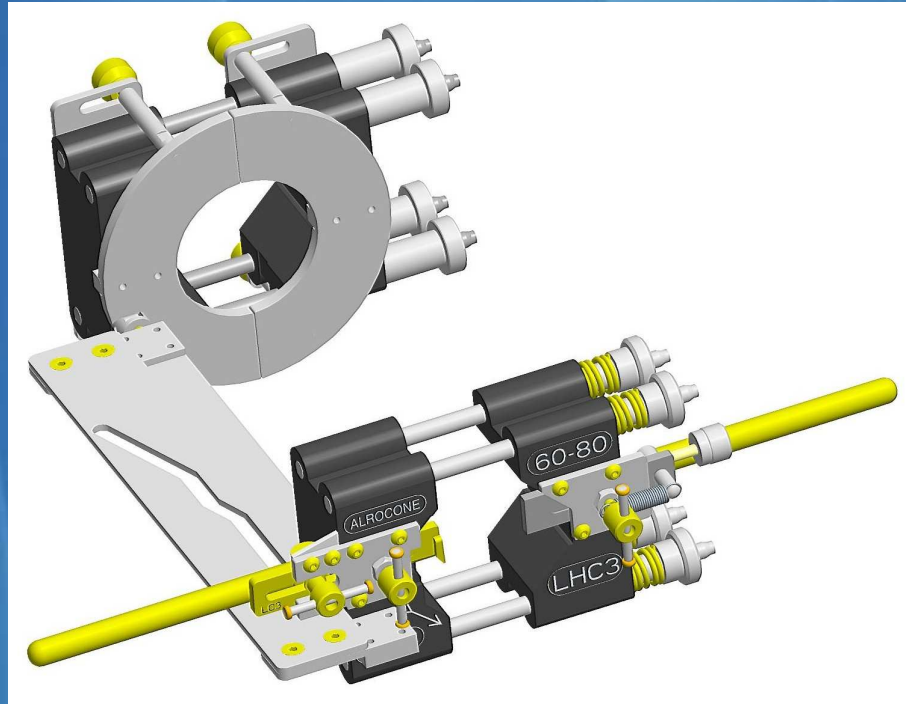
ALROC - HV - INSULATION LHC3-SP1

ISO 9001

BUREAU VERITAS
Certification



L
H
C
3-
SP1



ALROC

Z.I de la
fonderie
72160 Tuffé
France

Phone :
33.(0)2.43.71.11.80
Fax :
33.(0)2.43.71.16.51
Web : www.alroc.fr
E-mail :
commercial@alroc.fr
info@alroc.fr

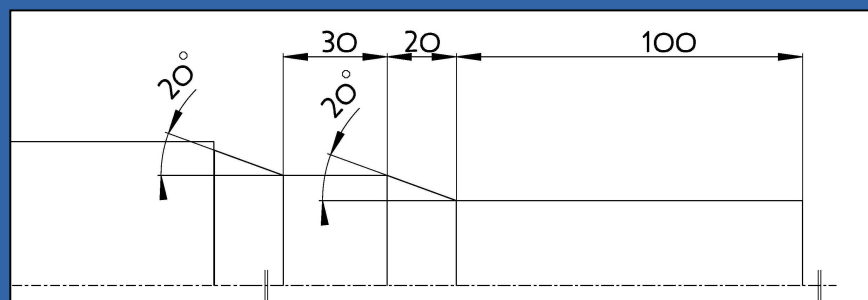
FUNCTIONS

LHC3 tool associated with the special ruler RF3-SP1 allows to perform two tapered cuttings on insulation cables.

CHARACTERISTICS

- ☞ Special insulation tapering.
- ☞ Realization of any special ruler on request.

Stripping made with the RF3-SP1 ruler.





ALROC - MV - Peelable semi-conductor LHM

ISO 9001

BUREAU VERITAS
Certification

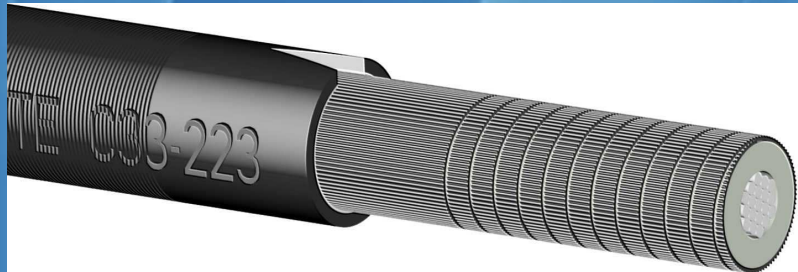
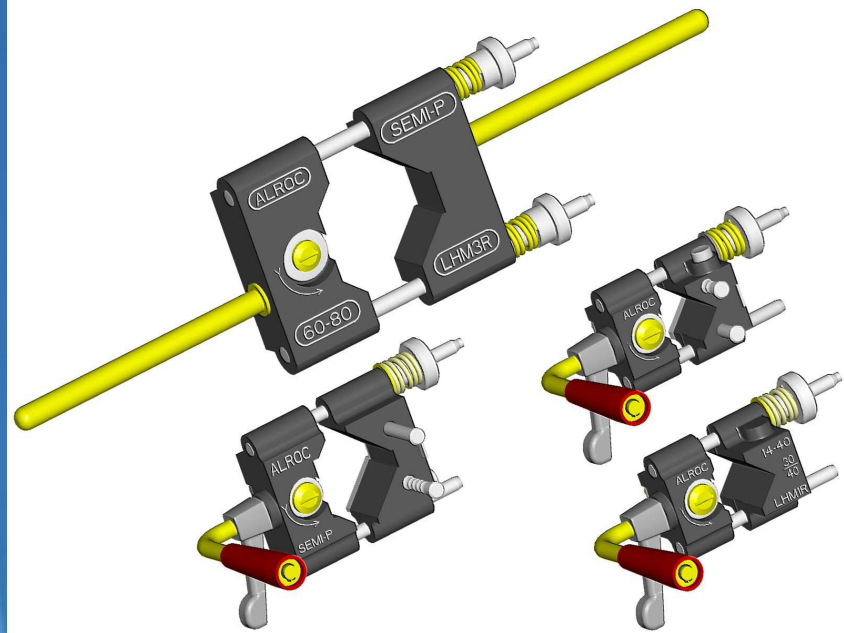


LHM1R
30/40

LHM1R
30/45E

LHM2R
30/60

LHM3R



ALROC

Z.I de la
fonderie
72160 Tuffé
France

Phone :
33.(0)2.43.71.11.80
Fax :
33.(0)2.43.71.16.51
Web : www.alroc.fr
E-mail :
commercial@alroc.fr
info@alroc.fr

FUNCTIONS

The LHM tools realize an incision on peelable semi-conductor to remove it easily with the hand.

CHARACTERISTICS

- ☞ Incision on peelable semi-conductor
- ☞ The blade is previously adjusted

LHM
CHOICE

Semi-con. diameter	Length of semi-con. left	Ref :	Weight
14 à 40mm	30 - 40mm	LHM1R30/40	630 g
14 à 40mm	30 - 40 - 45mm	LHM1R30/45E	660 g
38 à 60mm	30 - 40 - 45 - 55 - 60mm	LHM2R30/60	900 g
60 à 80mm	30mm	LHM3R	1770 g