

Bus Insulation And Wildlife Protection Products

BCIC

Bus Connection Insulating Covers

Designed to protect energized conductors or busbar from flashovers due to contact from birds, squirrels and other wildlife. BCIC parts are made from a UV stable, track resistant, high performance Tyco Electronics material to ensure years of reliable service.

A variety of different shapes and sizes are available to cover circuit breaker bushings, bus standoff insulators,

capacitors, transformer bushings, voltage regulators, potential transformers and more.

Installation can be made quickly in the field by trimming the entry and exit holes to the required dimensions. The BCIC covers can be reentered for other maintenance needs and then reused, thus lowering overall lifetime costs.

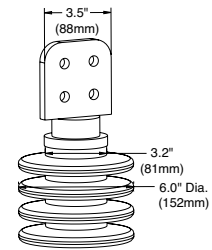
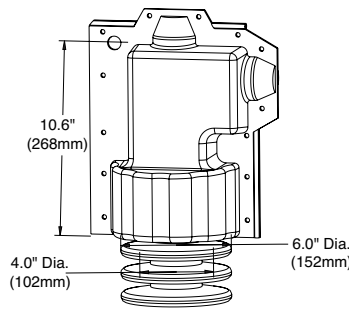
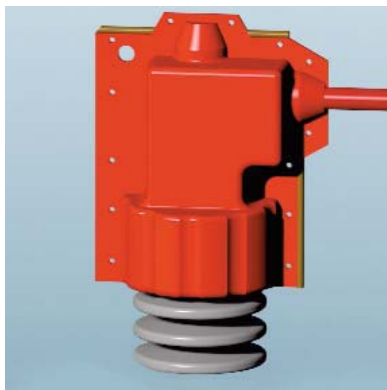
144

Selection information (dimensions in inches/millimeters)

Bushing covers

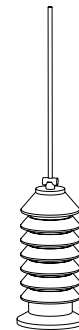
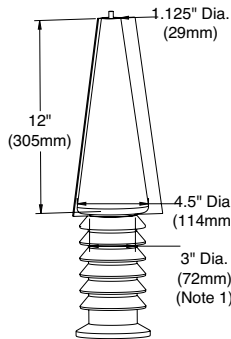
Installed product

Hardware configuration



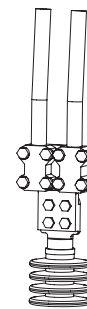
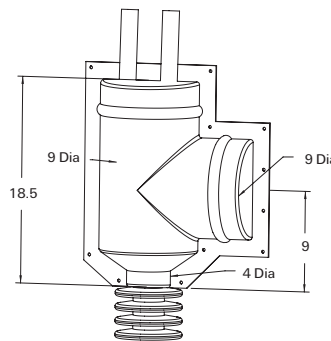
BCIC-4411 Note: 4" (100mm) bottom port opening

Uses 13 BCIC latches



BCIC-SG-101-H2 Note: Bottom and Top Opening

Uses 5 BCIC latches



BCIC-9D/19-3

59B Apostolopoulou str.

15231 Chalandri – Athens Greece

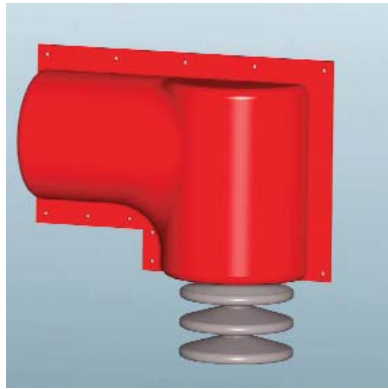
Tel: +30 210 6754801, Fax: +30 210 6754804

Bus Insulation And Wildlife Protection Products

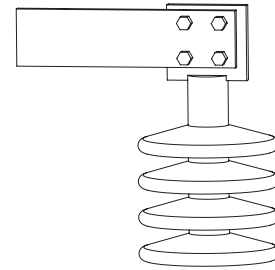
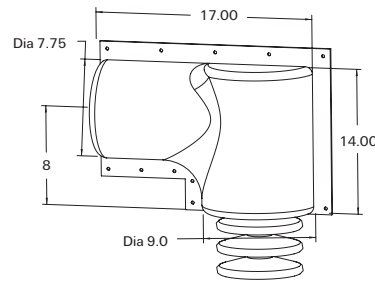
Bushing covers

Installed product

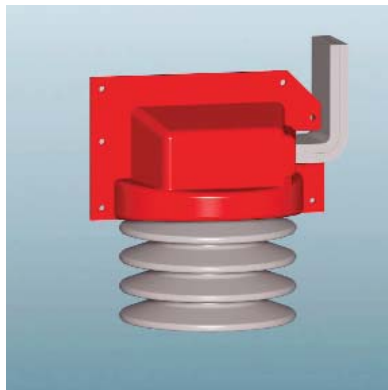
Hardware configuration



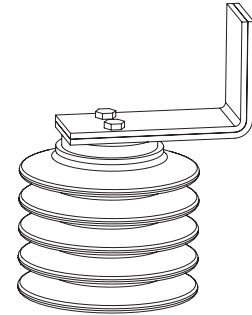
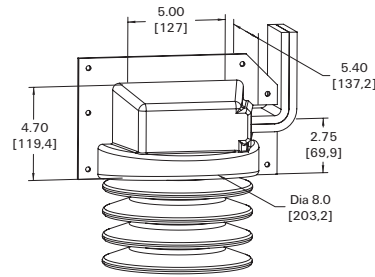
BCIC-10D/18-3



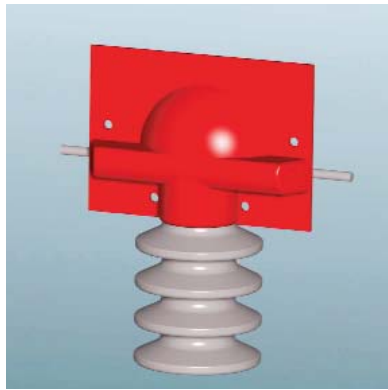
Uses 11 BCIC latches



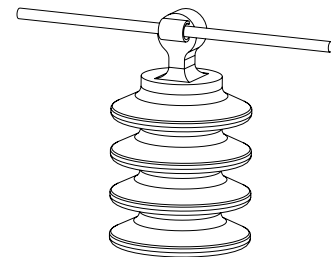
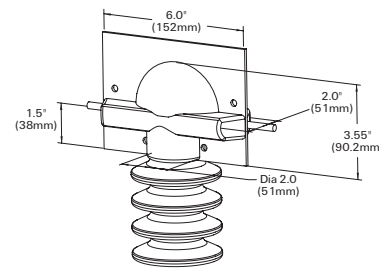
BCIC-8D/6-3



Uses 6 BCIC latches



BCIC-3D/6-3

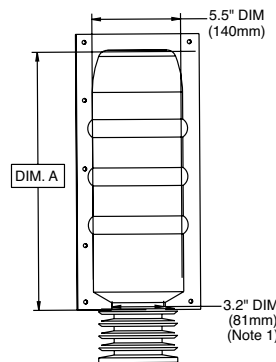


Uses 4 BCIC latches

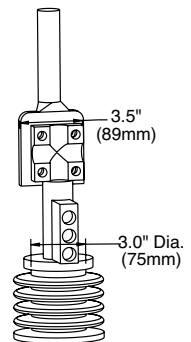


BCIC-5.5D/16-H1
BCIC-5.5D/16-H0

Note: 3.2" (81mm) bottom port opening
Note: No opening



Dim. A: 17.1" (434mm)
Dim. A: 17.6" (447mm)



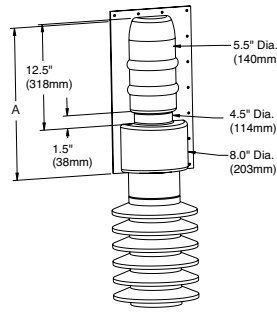
Uses 7 BCIC Latches

Bus Insulation And Wildlife Protection Products

Bushing covers

Installed product

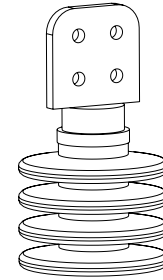
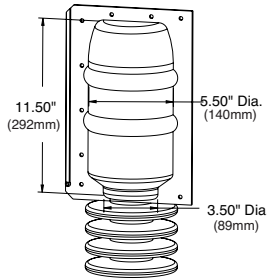
Hardware configuration



BCIC-8D/15H0
BCIC-8D/18-H0

Dia. A = 16.2" (411)
Dia. A = 19.2" (488)

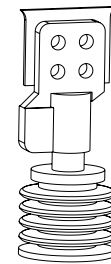
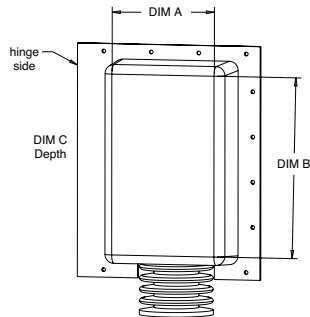
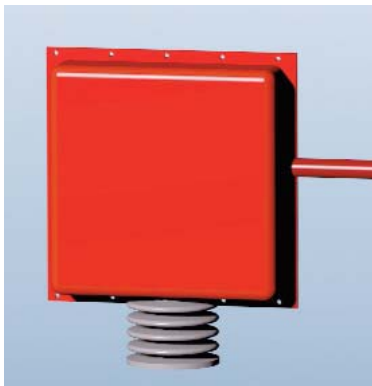
Uses 10 BCIC latches



BCIC-5.5D/11

Bushing range Dia. 2-3.5 in. Note: No opening

Uses 9 BCIC latches



	Dim A
BCIC-12/12/5-H	12 (305)
BCIC-14/19/6-U	14 (356)
BCIC-24/11/12-U	11 (279)
BCIC-4/12/4-H	4 (102)
BCIC-7/12/7-H	7 (178)
BCIC-4/16/4-H	4 (102)

	Dim B
BCIC-12/12/5-H	12 (305)
BCIC-14/19/6-U	19 (483)
BCIC-24/11/12-U	24 (610)
BCIC-4/12/4-H	12 (305)
BCIC-7/12/7-H	12 (305)
BCIC-4/16/4-H	16 (406)

	Dim C	
BCIC-12/12/5-H	5 (127)	Uses 12 BCIC latches
BCIC-14/19/6-U	6 (152)	Uses 16 BCIC latches
BCIC-24/11/12-U	12 (304)	Uses 16 BCIC latches
BCIC-4/12/4-H	4 (102)	Uses 12 BCIC latches
BCIC-7/12/7-H	7 (178)	Uses 12 BCIC latches
BCIC-4/16/4-H	4 (102)	Uses 12 BCIC latches

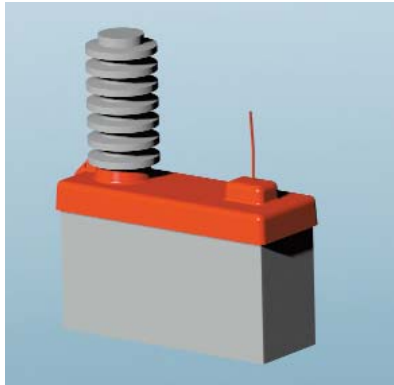
Note: Must be field cut.

Bus Insulation And Wildlife Protection Products

Capacitor covers

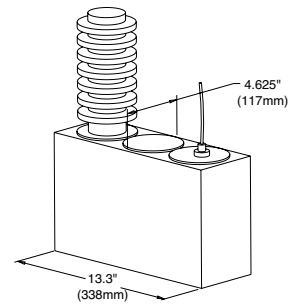
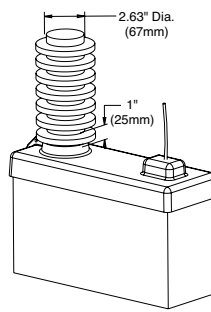
Installed product

Hardware configuration

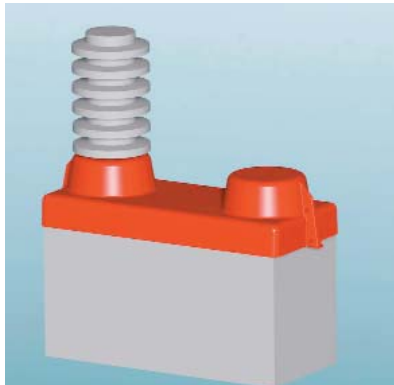


BCIC-0270

Note: Single bushing capacitor cover

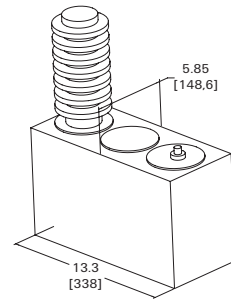
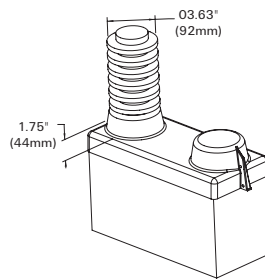


Uses 2 BCIC latches



BCIC-0370

Note: Single bushing capacitor cover



Uses 2 BCIC latches

Bus Insulation And Wildlife Protection Products

Lightning arrester covers

Installed product

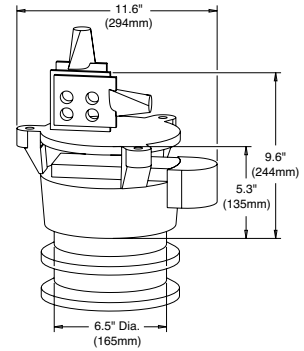
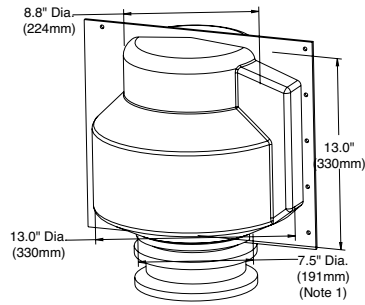
Hardware configuration

148



BCIC-13D/13-H0

Note: No opening - must be field cut

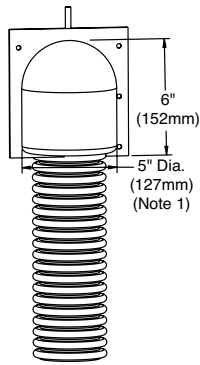


Uses 10 BCIC Latches



BCIC-5D/6

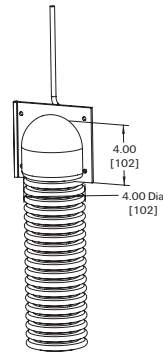
Note: No opening - must be field cut



Uses 5 BCIC Latches



BCIC-4D/4



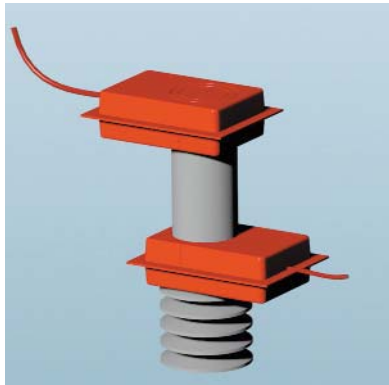
Uses 5 BCIC latches

Bus Insulation And Wildlife Protection Products

Distribution covers

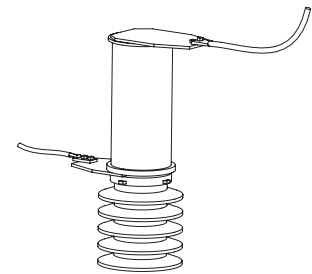
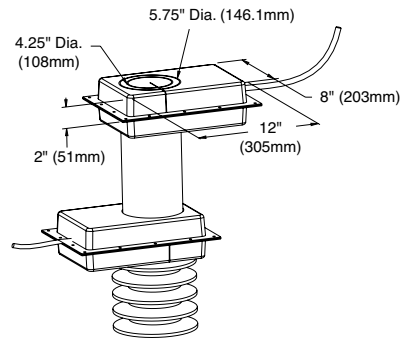
Installed product

Hardware configuration

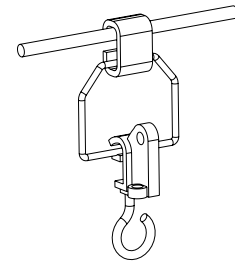
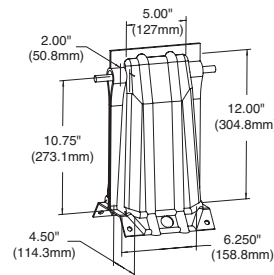


BCIC-8/12/2

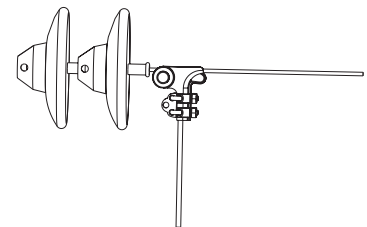
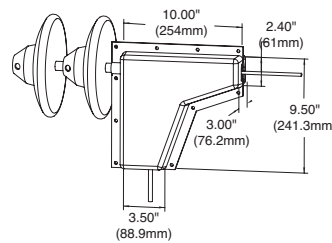
Note: Field trimmed part



BCIC-HLC-01



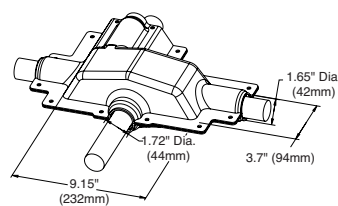
BCIC-9/10/3-L



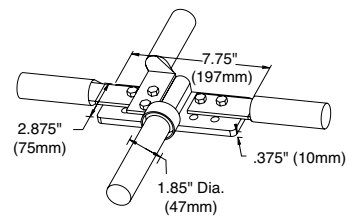
Uses 10 BCIC latches



BCIC-ABC 9/3/4



Note: Four openings



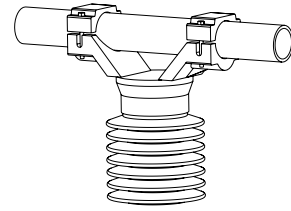
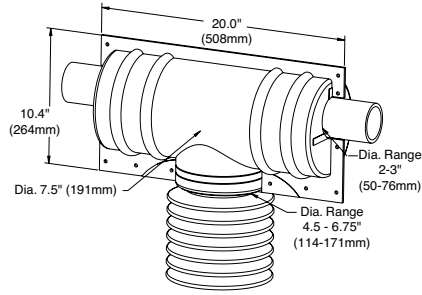
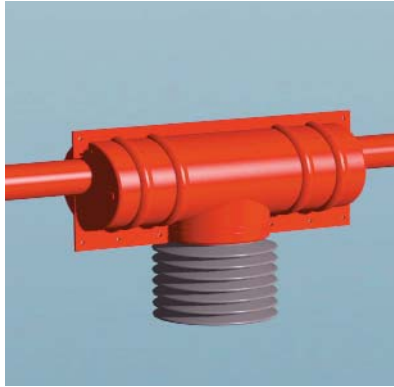
Uses 13 BCIC latches

Bus Insulation And Wildlife Protection Products

Insulator/bus bar covers

Installed product

Hardware configuration

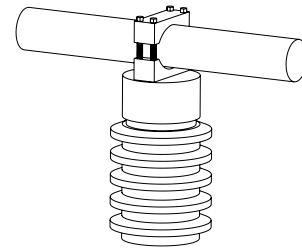
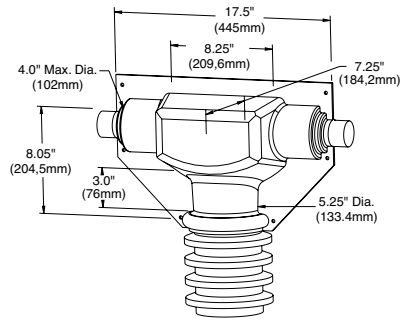


BCIC-7.5D/18-3

Bus Bar Dia. 2-3" (50-75mm)

Angle bus double 3" (75mm)

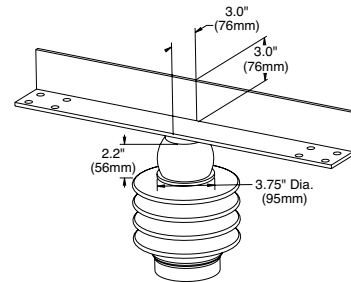
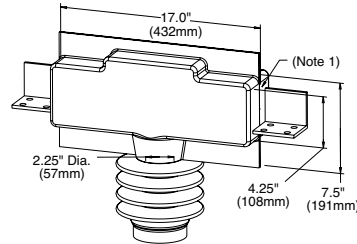
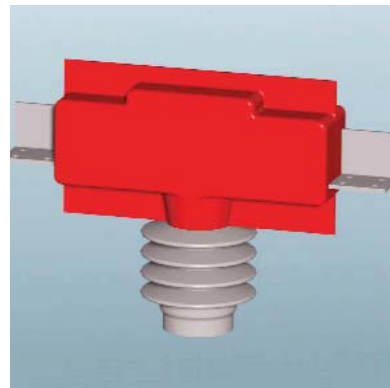
Uses 8 BCIC latches



BCIC-SG-201

Max. Bus Bar Dia. 4" (100mm)

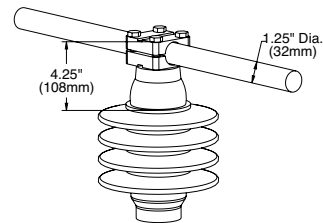
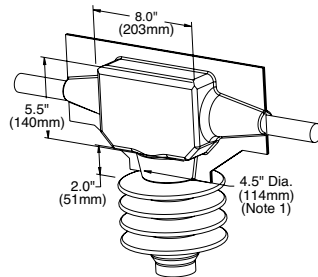
Uses 10 BCIC latches



BCIC-TR205-L

Note: No opening - must be field cut

Uses 10 BCIC latches



BCIC-TR205-R

Note: 4.5 (114) Dia. bottom port opening

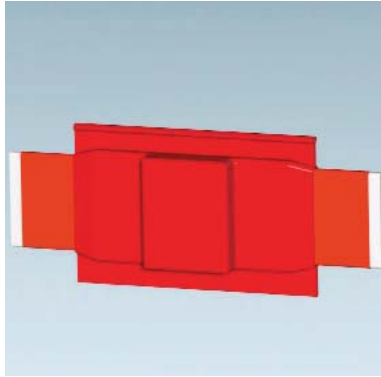
Uses 10 BCIC latches

Bus Insulation And Wildlife Protection Products

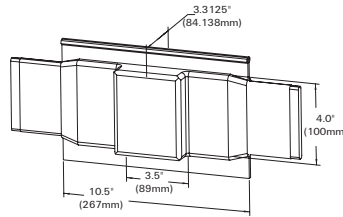
Switchgear bus connection covers

Installed product

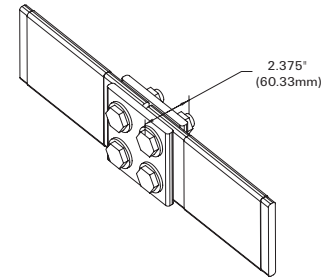
Hardware configuration



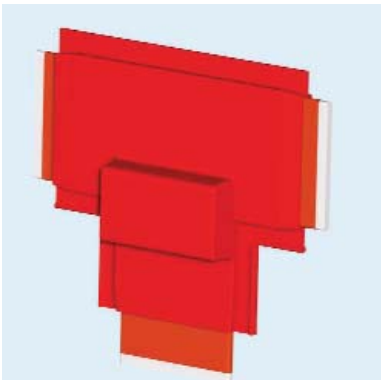
BCIC-100/4-1-ST



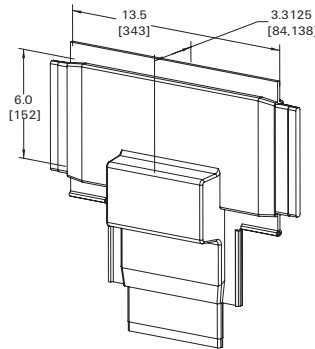
BUS Bar Size 4" x .50"



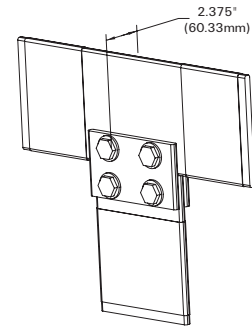
Uses BCIC closure in kit



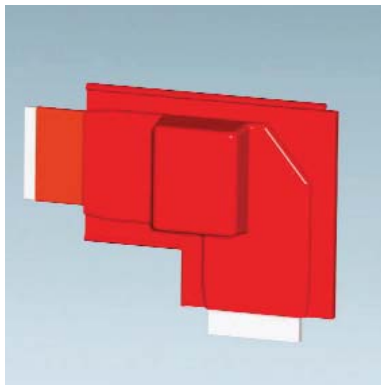
BCIC-150/6-1-ST



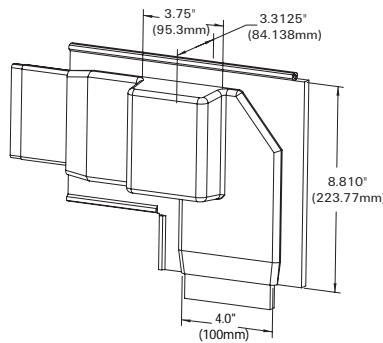
BUS Bar Size 6" x .50"



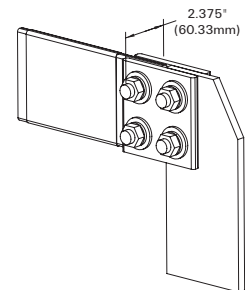
Uses BCIC closure in kit



BCIC-100/4-L



BUS Bar Size 4" x .50"

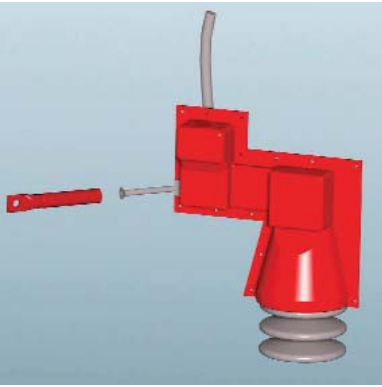


Uses BCIC closure in kit

Bus Insulation And Wildlife Protection Products

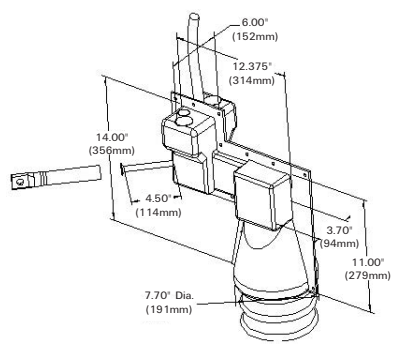
Miscellaneous covers

152

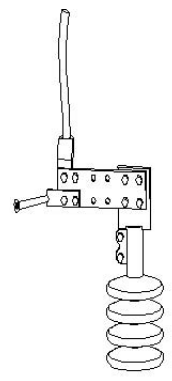


BCIC-7.5D/11-DB

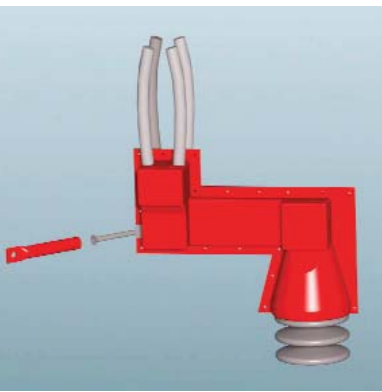
Installed product



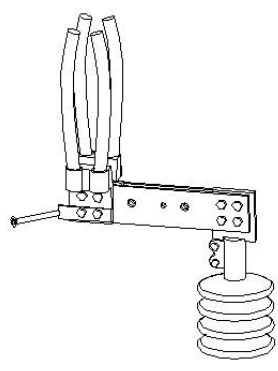
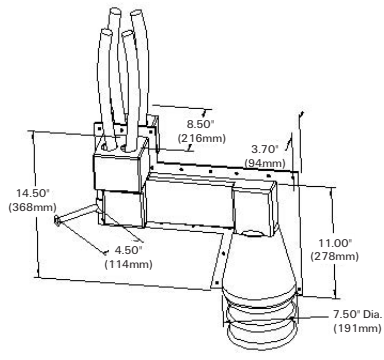
Hardware configuration



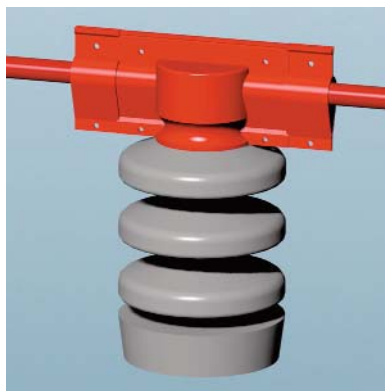
Uses 15 BCIC latches



BCIC-7.5D/17-DB

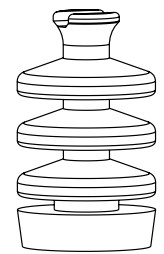
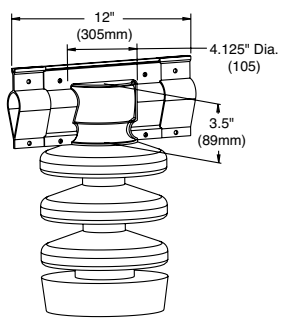


Uses 19 BCIC latches



BCIC-3212-01

Note: Bottom port has opening



Uses 8 BCIC Latches



BCIC-LATCH

Std. Pack = 250 latches or 1000 latches

