

SPM Series - 1000V DC Surge Protection Module for Photovoltaic Installations

Key Features:

- Compliant with IEC 61643-1 & 61643-11
- Type 2 Surge Protector
- Internal Thermal/Current Fuse
- $I_{max} = 40kA, I_n = 20kA$
- Pluggable Modules for Easy Maintenance
- Remote Signalling Option

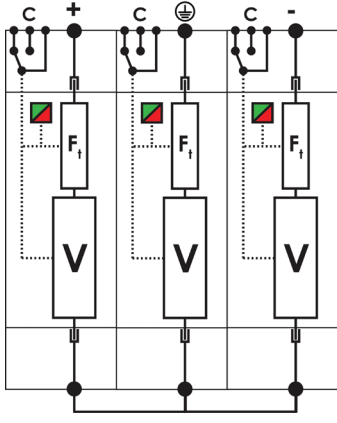
The 1000V DC SPM is a robust type 2 surge arrester designed to be installed at either end of the cable between photovoltaic panels and inverter.

The protection device utilises high reliability EU manufactured Metal Oxide Varistors (MOV) connected via a thermal/overcurrent disconnecter with visual and remote indication.

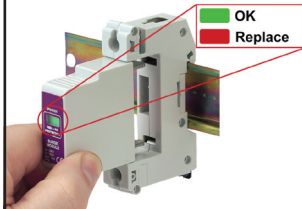
Specific system voltages and protection levels can be catered for, please contact our applications desk for further information.



Circuit Diagram

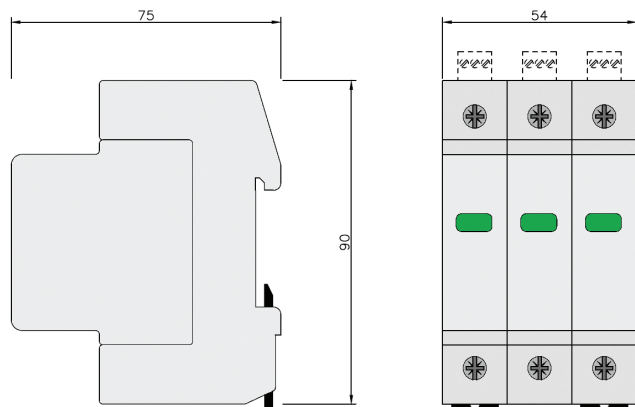


Module Indication



Key:	
C	Remote Output
F _t	Thermal Fuse
V	Varistor Assembly
	Visual Indication

Dimensions



Characteristics

Network Voltage		1000V DC
Max operating Voltage	U_c	1060V DC
Max. Discharge Current (8/20 μ s)	I_{max}	40 kA
Nominal Discharge Current (8/20 μ s)	I_n	20 kA
Protection Level @ 25kA	U_p	4.0 kV
Protection Level @ 20kA	U_p	3.8 kV
Protection Level @ 15kA	U_p	3.4 kV
Protection Level @ 10kA	U_p	3.1 kV
Protection Level @ 5kA	U_p	2.8 kV
Leakage Current @ U_c		<100 μ A
Response Time	t_A	<10 ns
Short Circuit Current	I_p	25 kA
Internal Disconnecter		Thermal/Current
Max. Backup Fuse/MCB rating*		50A gG/63A 'C'
L,N&E Connections Max.		4-35mm ¹
Remote Signalling Connections Max.		1mm ²
Operating Temperature		-40 to +70°C
IP Rating		20
Housing Material		FR ABS, UL94-V0
Mounting		35mm DIN
Protection Mode		Common/Differential
Part Code (No Remote)		A3SPM/40/1000DC
Part Code (With Remote)		A3SPM/40/1000RDC